

# ROOM

WWW.ROOMONLINE.COM



---

BIG BULB OPAL WALL LAMP

14" H X 5" W X 8" D

POLISHED BRASS BASE WITH AN OPAL GLASS SHADE

LAMPING: 1 X G9, 25W MAX HALOGEN (OR 2.3 LED 2700K)

ITEM NO. LI155

## BIG BULB WALL

### FINISH

polished brass with shiny opal glass  
polished nickel with shiny opal glass

### DIMENSIONS (body of fixture)

120 x 200 x 360 mm (w x d x h)

### WEIGHT

2kg (4.4lbs)

### ILLUMINATION

220-240v - 1 x G9 - 25w max halogen (or 2.3w 2700K LED)  
110-130v - 1 x G9 - 25w max halogen (or 2.3w 2700K LED)

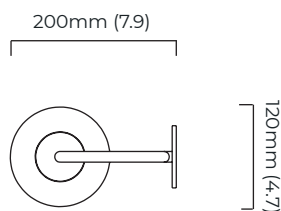
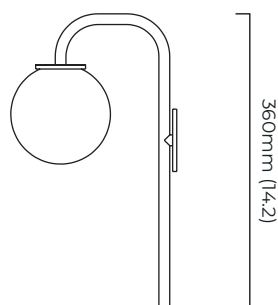
### DIMMING

dimnable bulb required  
trailing edge dimmable / phase cut (rotary dimmer) - standard  
DALI option available (220-240v only)

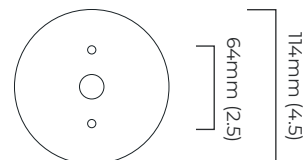
### WALL ROSE / PLATE

round wall plate -  $\varnothing$  114 x 5 mm ( $\varnothing$  x d)

### CERTIFICATION



mounting plate dimensions



\*Diagrams are not to scale.

## BIG BULB WALL - DALI-A

### FINISH

polished brass with shiny opal glass  
polished nickel with shiny opal glass

### DIMENSIONS (body of fixture)

120 x 200 x 360 mm (w x d x h)

### WEIGHT

2kg (4.4lbs)

### ILLUMINATION

220-240v - 1 x G9 - 25w max halogen (or 2.3w 2700K LED)  
DALI converter to be installed in the cavity

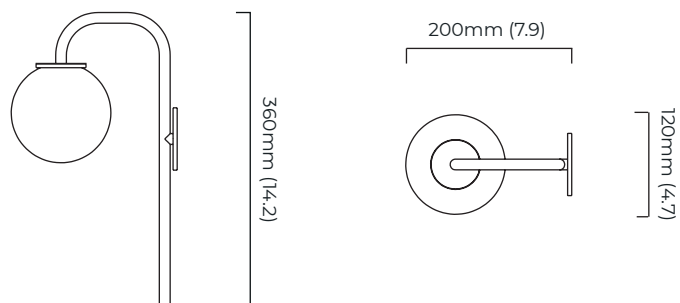
### DIMMING

dimnable bulb required  
DALI compatible

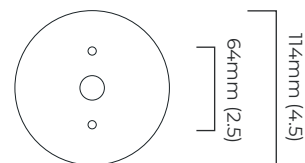
### WALL ROSE / PLATE

round wall plate -  $\varnothing$  114 x 5 mm ( $\varnothing$  x d)

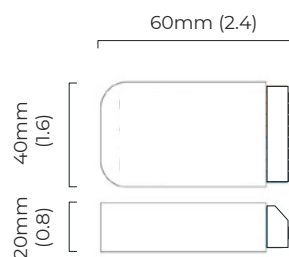
### CERTIFICATION



mounting plate dimensions



DALI converter dimensions



\*Diagrams are not to scale.

## BIG BULB WALL - DALI-B

### FINISH

polished brass with shiny opal glass  
polished nickel with shiny opal glass

### DIMENSIONS (body of fixture)

120 x 225 x 360 mm (w x d x h)

### WEIGHT

2kg (4.4lbs)

### ILLUMINATION

220-240v - 1 x G9 - 25w max halogen (or 2.3w 2700K LED)  
DALI converter to be installed in the wall rose

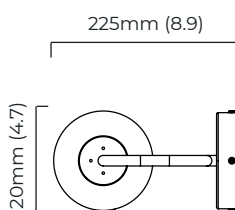
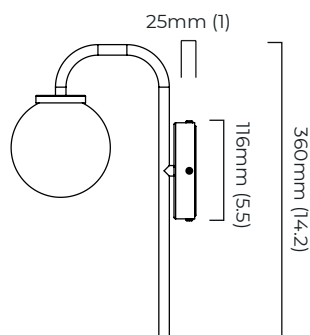
### DIMMING

dimnable bulb required  
DALI compatible

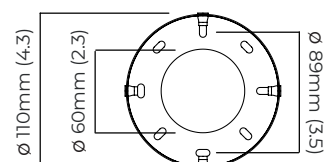
### WALL ROSE / PLATE

round wall plate -  $\varnothing$  116 x 25 mm ( $\varnothing$  x d)

### CERTIFICATION



mounting plate dimensions



\*Diagrams are not to scale.

## BIG BULB WALL

### BIG BULB WALL

SKU NUMBER	FINISH DESCRIPTION	VOLTAGE
BULWAOPBOG-240	polished brass with shiny opal glass	220 - 240V
BULWAOPNOG-240	polished nickel with shiny opal glass	220 - 240V
BULWAOPBOG-110	polished brass with shiny opal glass	110 - 130V
BULWAOPNOG-110	polished nickel with shiny opal glass	110 - 130V

### BIG BULB WALL - DALI-A

SKU NUMBER	FINISH DESCRIPTION	TYPE OF DALI	VOLTAGE
BULWAOPBOG-DALIA-240	polished brass with shiny opal glass	DALI A included - For lights that do not require aesthetic alterations. Dali can be fitted inside the ceiling/wall cavity	220 - 240V
BULWAOPNOG-DALIA-240	polished nickel with shiny opal glass	DALI A included - For lights that do not require aesthetic alterations. Dali can be fitted inside the ceiling/wall cavity	220 - 240V

### BIG BULB WALL - DALI-B

SKU NUMBER	FINISH DESCRIPTION	TYPE OF DALI	VOLTAGE
BULWAOPBOG-DALIB-240	polished brass with shiny opal glass	DALI B included - The light will feature a deeper ceiling/wall rose. For use when there is no space in the existing ceiling/wall cavity	220 - 240V
BULWAOPNOG-DALIB-240	polished nickel with shiny opal glass	DALI B included - The light will feature a deeper ceiling/wall rose. For use when there is no space in the existing ceiling/wall cavity	220 - 240V