

ROOM

WWW.ROOMONLINE.COM



AXIS SIX PENDANT

BRONZE OR SATIN BRASS WITH SMOKED GLASS SHADES

68" X 45" X 7.5" FIXTURE HEIGHT + MINIMUM 2" STEM. SHIPS WITH 39" DROP ROD

TAKES 6X E25W BULBS, NOT INCLUDED

ITEM NO. LI341

AXIS PENDANT LARGE

FINISH

bronze with smoked glass / bronze drop rod and ceiling box
satin brass with smoked glass shades / satin brass drop rod and ceiling box

DIMENSIONS (body of fixture)

1720 x 1170 x 190 mm (w x d x h)

WEIGHT

15kg (33.1lbs)

please ensure ceiling structure is strong enough to support the weight of the light

OVERALL DROP

minimum 325 mm

supplied with 1000mm drop rod (12.7mm dia) as standard (adjustable on site)

ILLUMINATION

220-240v - 6 x E14 - 25w max (or 4.5w LED 2700k)

110-130v - 6 x E12 - 25w max (or 4.5w LED 2700k)

DIMMING

dimnable bulb required

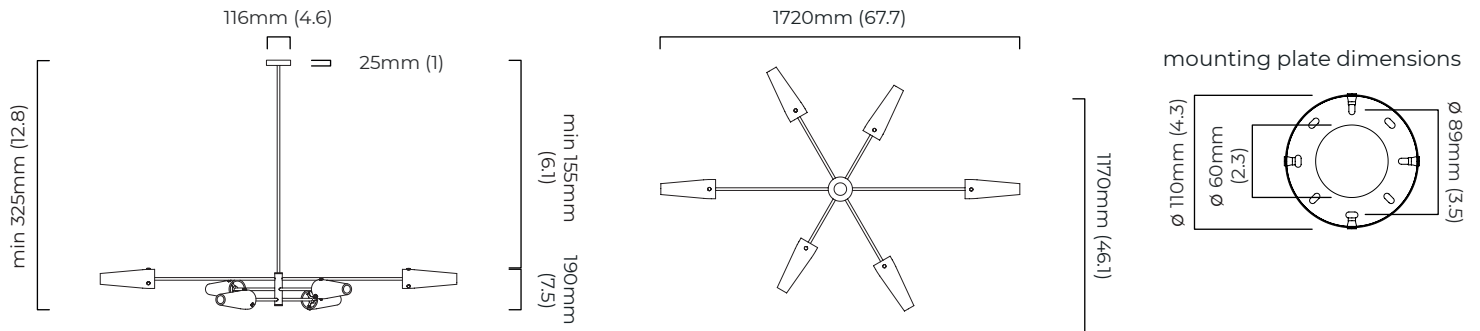
trailing edge dimmable / phase cut (rotary dimmer) - standard

DALI option available (220-240v only)

CEILING ROSE / PLATE

round ceiling rose - \varnothing 116 x 25 mm (dia x h)

CERTIFICATION



*Diagrams are not to scale.

AXIS PENDANT LARGE - DALI-A

FINISH

bronze with smoked glass / bronze drop rod and ceiling box
satin brass with smoked glass shades / satin brass drop rod and ceiling box

DIMENSIONS (body of fixture)

1720 x 1170 x 190 mm (w x d x h)

WEIGHT

15kg (33.1lbs)

please ensure ceiling structure is strong enough to support the weight of the light

OVERALL DROP

minimum 325 mm

supplied with 1000mm drop rod (12.7mm dia) as standard (adjustable on site)

ILLUMINATION

220-240v - 6 x E14 - 25w max (or 4.5w LED 2700k)

DALI converter to be installed in the cavity

DIMMING

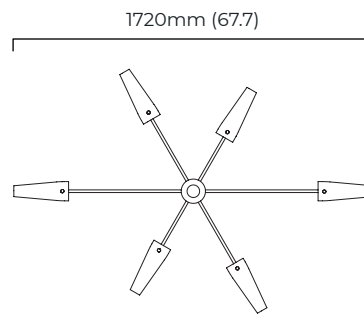
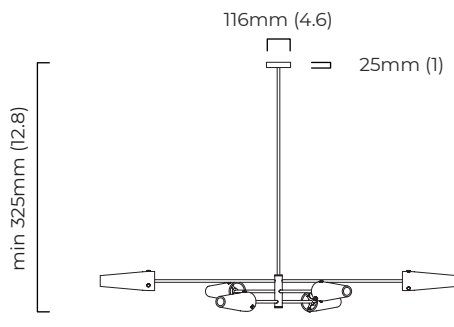
dimmable bulb required

DALI compatible

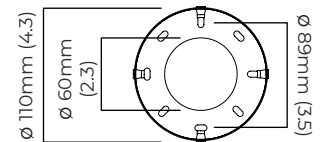
CEILING ROSE / PLATE

round ceiling rose - \varnothing 116 x 25 mm (dia x h)

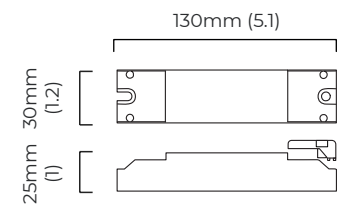
CERTIFICATION



mounting plate dimensions



DALI converter dimensions



*Diagrams are not to scale.

AXIS PENDANT LARGE - DALI-B

FINISH

bronze with smoked glass / bronze drop rod and ceiling box
satin brass with smoked glass shades / satin brass drop rod and ceiling box

DIMENSIONS (body of fixture)

1720 x 1170 x 190 mm (w x d x h)

WEIGHT

15kg (33.1lbs)

please ensure ceiling structure is strong enough to support the weight of the light

OVERALL DROP

minimum 335 mm

supplied with 1000mm drop rod (12.7mm dia) as standard (adjustable on site)

ILLUMINATION

220-240v - 6 x E14 - 25w max (or 4.5w LED 2700k)

DALI converter to be installed in the ceiling rose

DIMMING

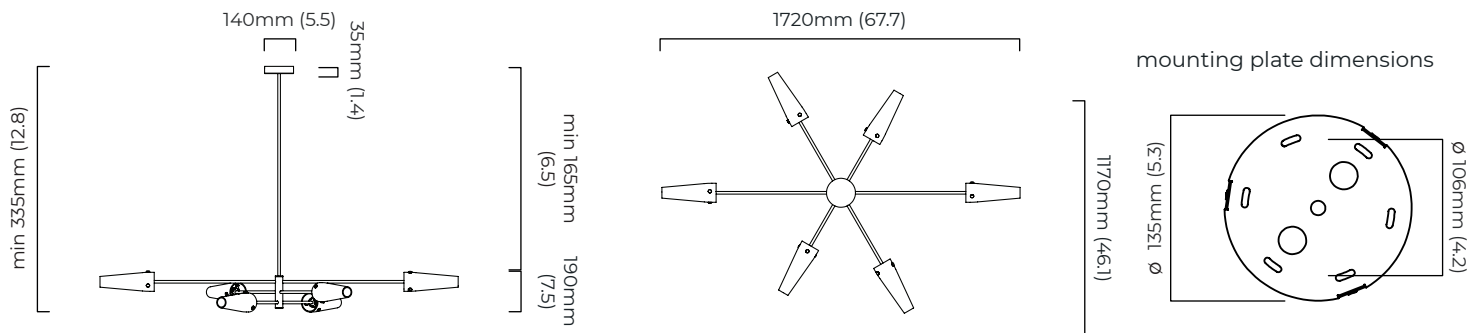
dimmable bulb required

DALI compatible

CEILING ROSE / PLATE

round ceiling rose - \varnothing 140 x 35 mm (dia x h)

CERTIFICATION



*Diagrams are not to scale.

AXIS PENDANT LARGE

AXIS PENDANT LARGE

SKU NUMBER	FINISH DESCRIPTION	VOLTAGE
AXIPELBZSG-240	bronze with smoked glass / bronze drop rod and ceiling box	220 - 240V
AXIPELSBSG-240	satin brass with smoked glass shades / satin brass drop rod and ceiling box	220 - 240V
AXIPELBZSG-110	bronze with smoked glass / bronze drop rod and ceiling box	110 - 130V
AXIPELSBSG-110	satin brass with smoked glass shades / satin brass drop rod and ceiling box	110 - 130V

AXIS PENDANT LARGE - DALI-A

SKU NUMBER	FINISH DESCRIPTION	TYPE OF DALI	VOLTAGE
AXIPELBZSG-DALIA-240	bronze with smoked glass / bronze drop rod and ceiling box	DALI A included - For lights that do not require aesthetic alterations. Dali can be fitted inside the ceiling/wall rose	220 - 240V
AXIPELSBSG-DALIA-240	satin brass with smoked glass shades / satin brass drop rod and ceiling box	DALI A included - For lights that do not require aesthetic alterations. Dali can be fitted inside the ceiling/wall rose	220 - 240V

AXIS PENDANT LARGE - DALI-B

SKU NUMBER	FINISH DESCRIPTION	TYPE OF DALI	VOLTAGE
AXIPELBZSG-DALIB-240	bronze with smoked glass / bronze drop rod and ceiling box	DALI B included - The light will feature a deeper ceiling/wall rose. For use when there is no space in the existing ceiling/wall cavity	220 - 240V
AXIPELSBSG-DALIB-240	satin brass with smoked glass shades / satin brass drop rod and ceiling box	DALI B included - The light will feature a deeper ceiling/wall rose. For use when there is no space in the existing ceiling/wall cavity	220 - 240V